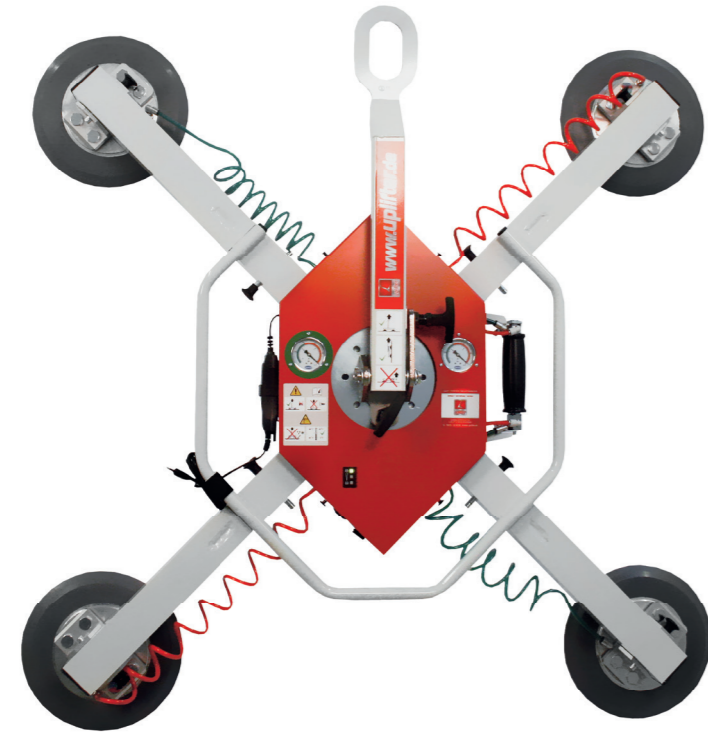


Vacuum cup UPG350

Vacuum technology | Uplifter



Load capacity	350 kg
Suction disc quantity	4 Pieces
Suction plate Diameter	Ø 350 mm
Curved discs	✗
Lowering cylinder	✗
Radio remote control	✗
Dead weight max.	43,0 kg
Length max./min.	1,75/0,70 m
Wide max./min.	1,38/0,70 m
Inclination angle	90°
Rotatability	360° in 45° grid
Operating time	approx. 8.0 hours

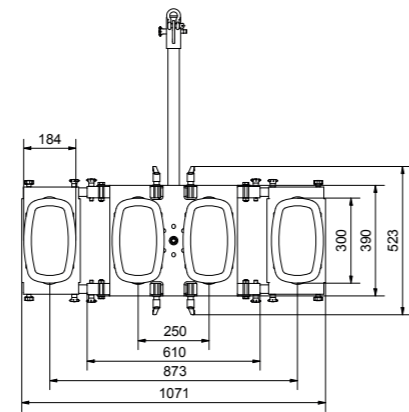
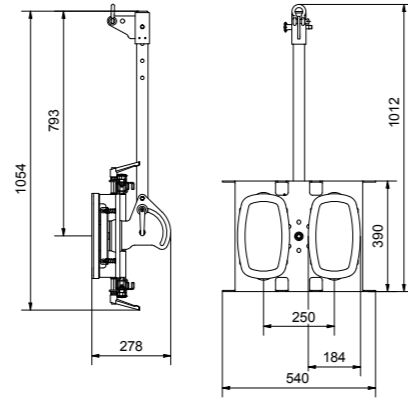
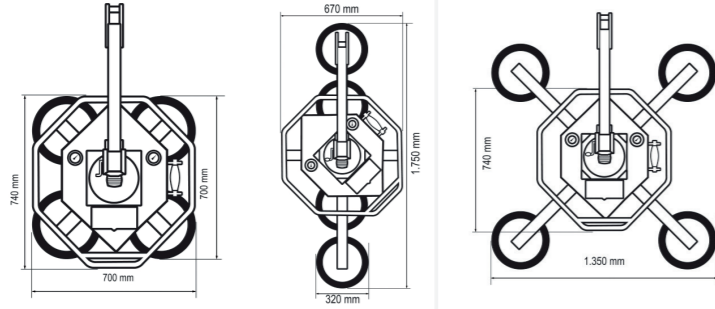
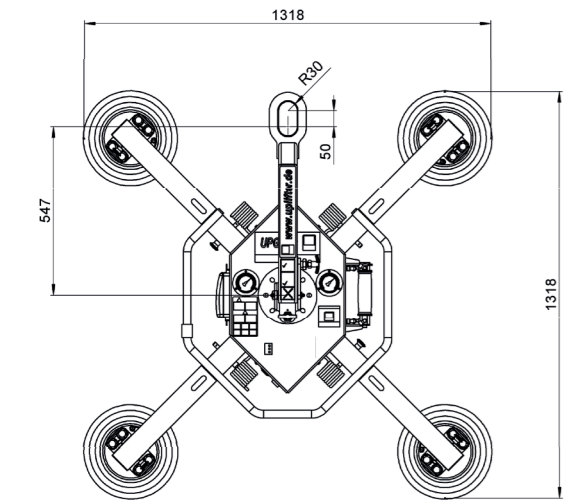


Vacuum cup UPG300

Vacuum technology | Uplifter



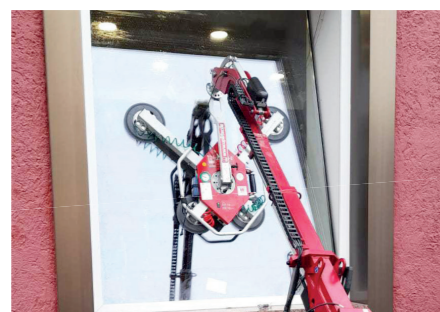
Load capacity	300 kg
Suction disc quantity	4 Pieces
Curved discs	✓
Lowering cylinder	✗
Radio remote control	✗
Dead weight max.	40,0 kg
Length max./min.	1,09/0,65 m
Wide max./min.	0,7 m
Inclination angle	120°
Rotatability	approx. 3.0 hours
Rotatability	approx. 3.0 hours*



The UPG350 can suction elements such as solar panels, veneered wood, metal and plastic panels and much more



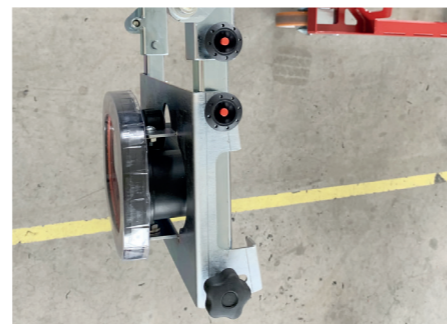
Due to different arrangement of the suction plates, the vacuum cup can be optimally adapted to different pane sizes



TIP
Sponge rubber suction pads and mount extension are optionally available for Uplifter vacuum cups. Ask for them now!



Outer extensions can be easily tilted to accommodate curved elements



These electric vacuums can suck not only glass through their foam rubber suction lip



TIP
Electric hand vacuums allow you to vacuum glass, metal, plastic, wood, tile, concrete, sheetrock and other rough surfaces.

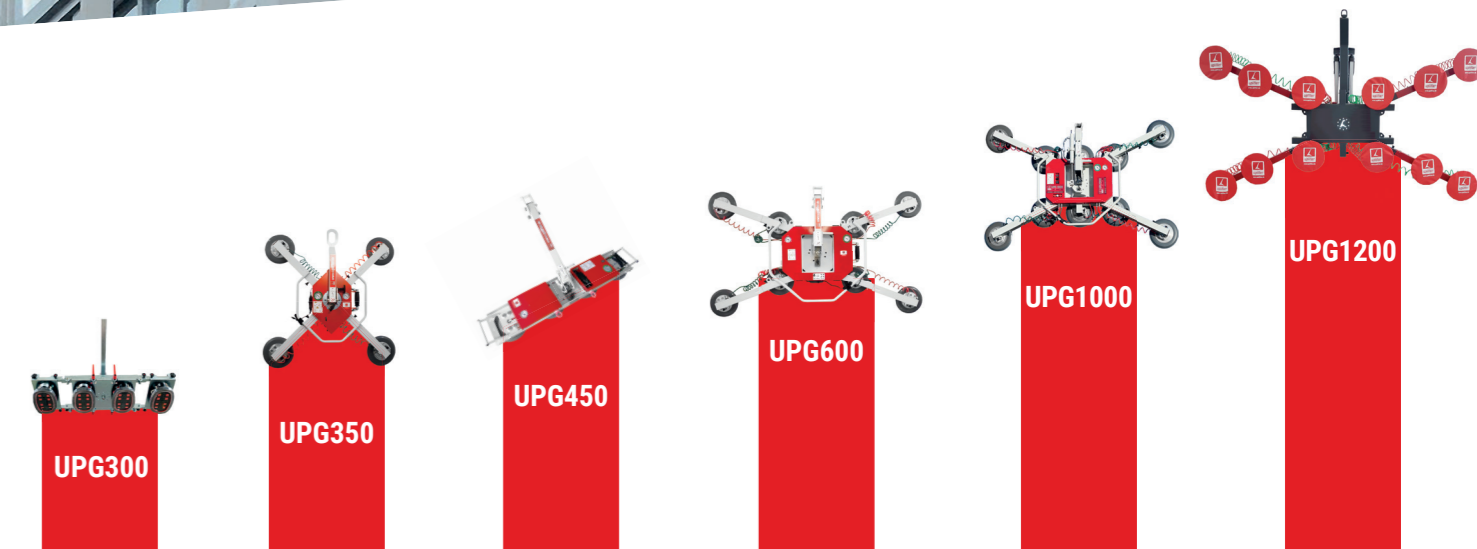


- Uplifter GmbH & Co. KG
Uplifter in Oberaich | Central
Oberaich 5 | 92543 Guteneck
+49 9433 20499 0
- Uplifter in München | Hallbergmoos
Zwillingshof 1 | 85737 Hallbergmoos
+49 9433 20499 0
- Uplifter in Sinsheim | Lobbach
Spitzacker 8 | 74931 Lobbach
+49 9433 20499 302
- Uplifter in Frankfurt/Main | Mömbris
Handwerkerring 6 | 63776 Mömbris
+49 9433 20499 302
- Uplifter in Düsseldorf | Velbert
Rosenkamp 13 | 42549 Velbert
+49 2051 42319 0
- Uplifter in Berlin | Oberkrämer
Breitestr. 59 | 16727 Oberkrämer
+49 3304 2559350
- Uplifter in Hamburg | Seevetal
Bei den Kämpen 8 | 21220 Seevetal
+49 4185 79997 0
- Uplifter Development and Production
Schulstraße 16 | 92507 Nabburg
+49 9433 20499 0
- Uplifter in Czech and Slovakia / Prague
Rabakovská 1624/9 | 10200 Praha 15 - Hostivař
+420 230 234 500
- Uplifter in Poland / Warsaw
5 Przeclawska St. | 03-879 Warsaw
+48 22 618 27 71

WE ARE HERE FOR YOU!



VACUUM SUCTION
a strong product family!

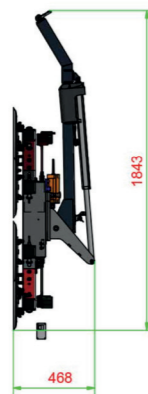
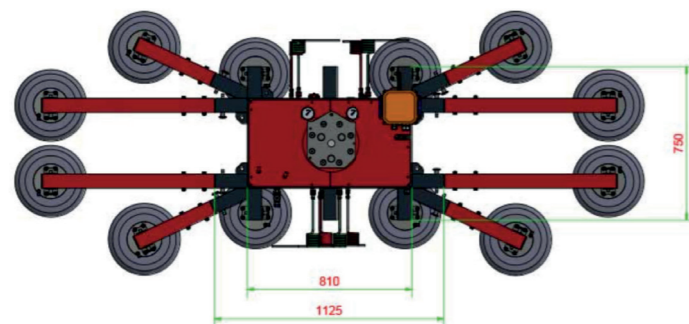
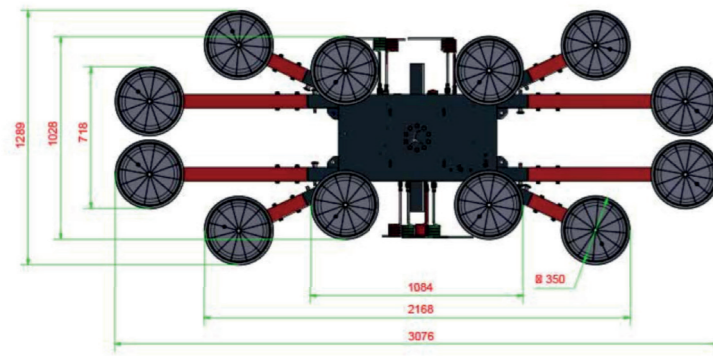
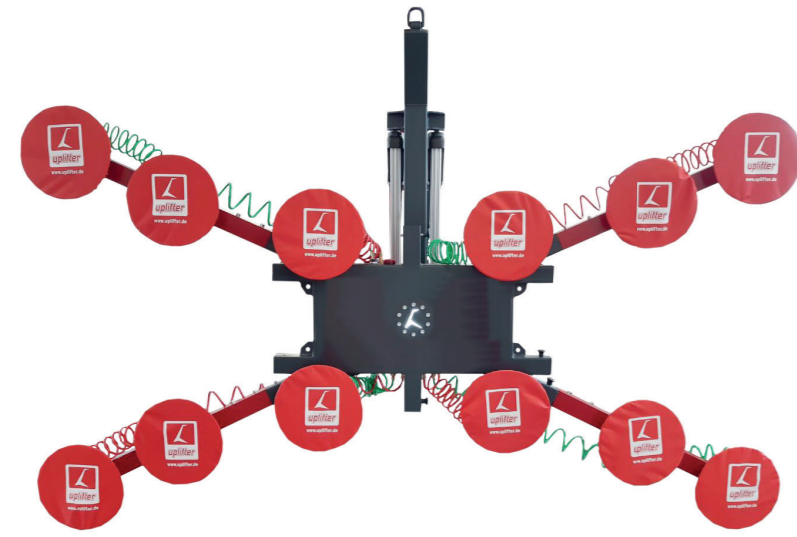


Vacuum cup UPG1200

Vacuum technology | Uplifter



Load capacity	1.200 kg
Suction disc quantity	12 Pieces
Suction plate Diameter	Ø 350 mm
Curved discs	<input checked="" type="checkbox"/>
Lowering cylinder	<input checked="" type="checkbox"/>
Radio remote control	<input checked="" type="checkbox"/>
Dead weight max.	190,0 kg
Length max./min.	3,08/1,01 m
Wide max./min.	1,28/0,71 m
Inclination angle	90°
Rotatability	120° electric
Operating time	approx. 8.0 hours



TIP

The vacuum cross on the GW1125 can be quickly dismantled and also used individually by means of a tilt adapter!



GW 1125

Interesting **video with areas** of application can be found on **YouTube**.

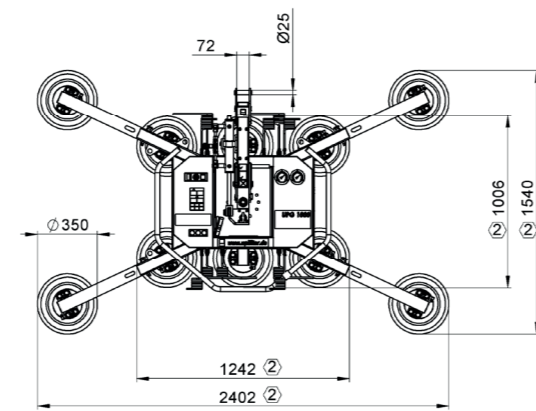
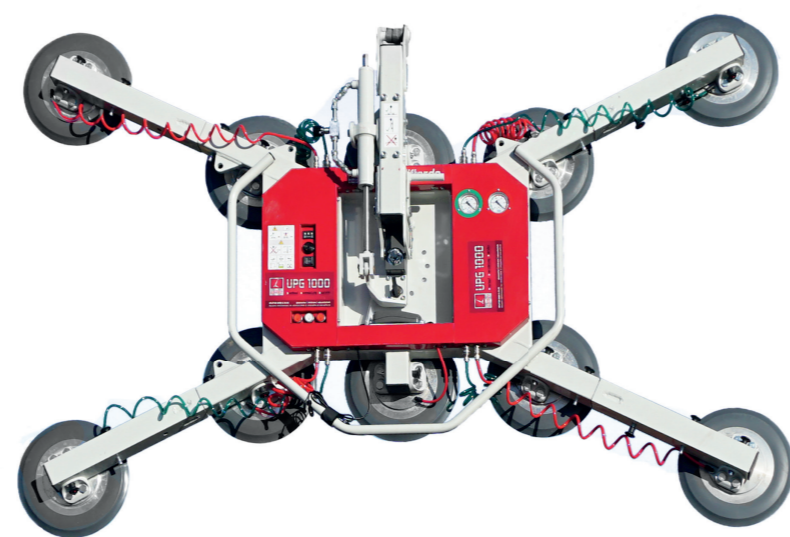
Instruction video Subscribe to our channel to learn more about the possibilities of our machines. From **instruction videos** to construction site applications, it's all here.

Vacuum cup UPG1000

Vacuum technology | Uplifter



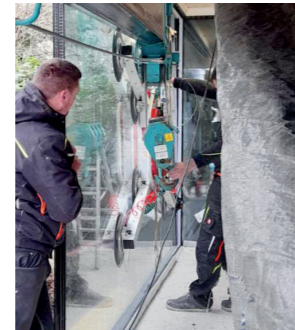
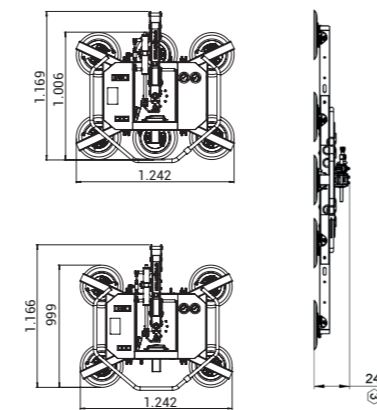
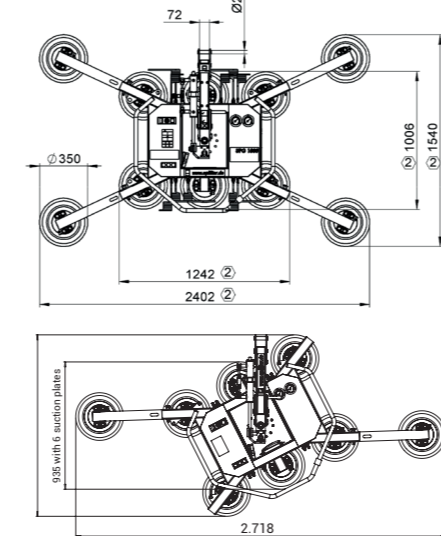
Load capacity	1.000 kg
Suction disc quantity	10 Pieces
Suction plate Diameter	Ø 350 mm
Curved discs	<input checked="" type="checkbox"/>
Lowering cylinder	<input checked="" type="checkbox"/>
Radio remote control	<input checked="" type="checkbox"/> optional
Dead weight max.	126,0 kg
Length max./min.	2,72/1,25 m
Wide max./min.	1,54/1,01 m
Inclination angle	90°
Rotatability	360° in 45° grid
Operating time	approx. 8.0 hours



TIP

Easy handling of the vacuum cups on the construction site and for safe storage with the UPT200 transport cart.

Dimension



Due to the flat design of the UPG1000, applications are also possible behind scaffolding



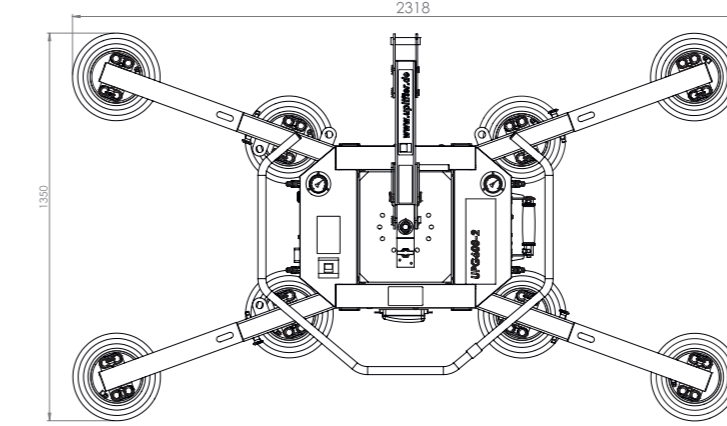
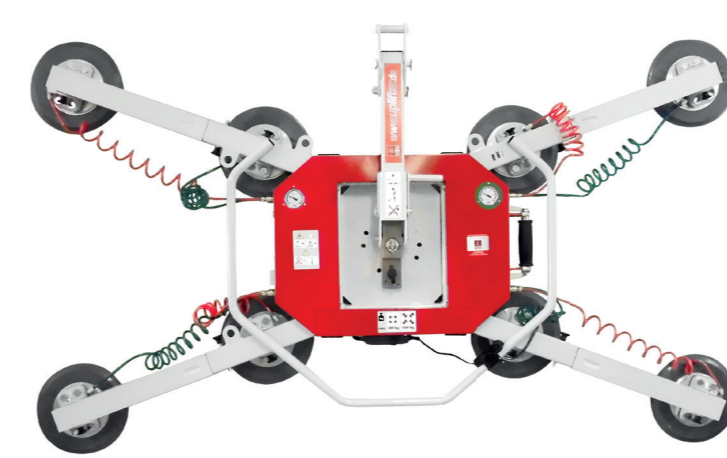
Visit us on YouTube to see the UPG1000 in action in Taiwan.

Vacuum cup UPG600

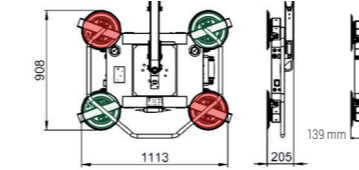
Vacuum technology | Uplifter



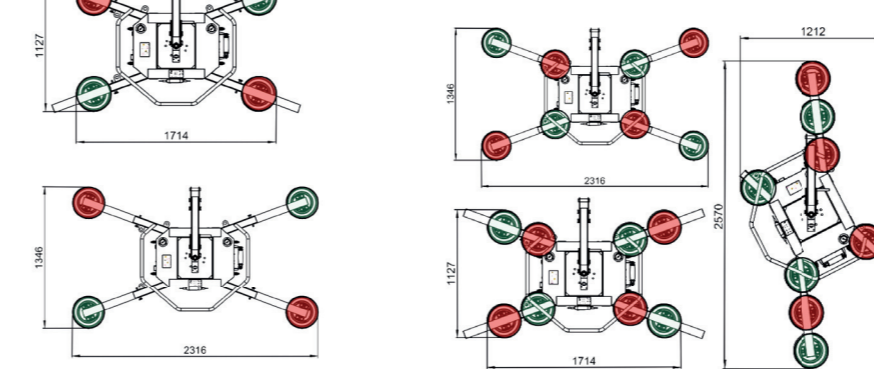
Load capacity	600 kg
Suction disc quantity	8 Pieces
Suction plate Diameter	Ø 300 mm
Curved discs	<input checked="" type="checkbox"/>
Lowering cylinder	<input checked="" type="checkbox"/> optional
Radio remote control	<input checked="" type="checkbox"/> optional
Dead weight max.	89,0 kg
Length max./min.	2,57/1,13 m
Wide max./min.	1,35/0,91 m
Inclination angle	90°
Rotatability	360° in 45° grid
Operating time	approx. 8.0 hours



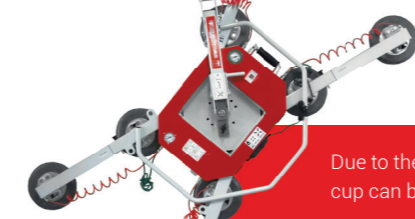
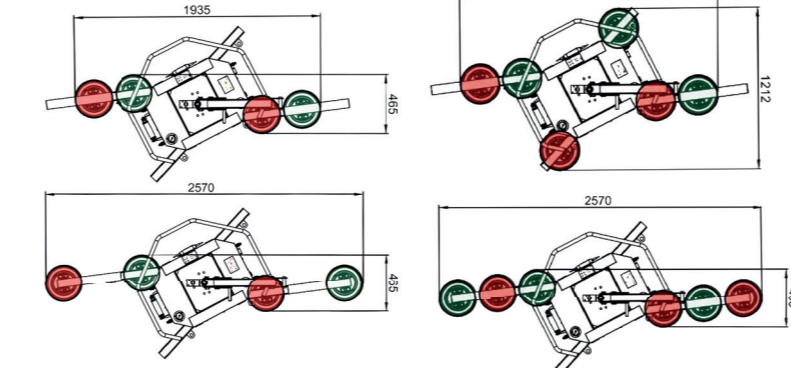
Load capacity 300 kg



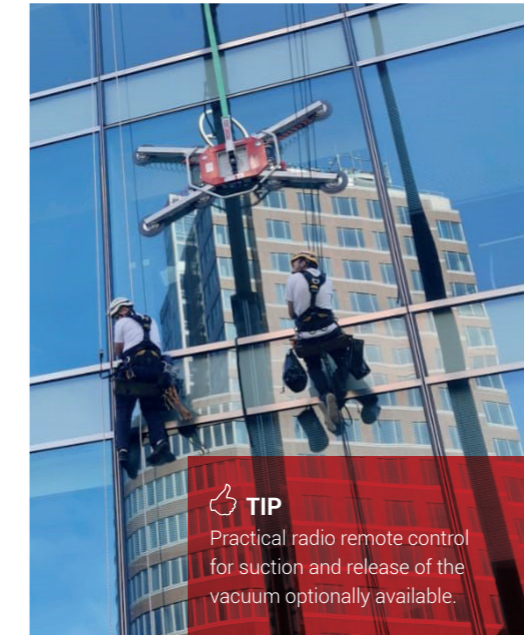
Load capacity 600 kg



Load capacity 450 kg/300 kg



Due to the different arrangement of the suction plates, the vacuum cup can be optimally adapted to a wide range of pane sizes.



TIP

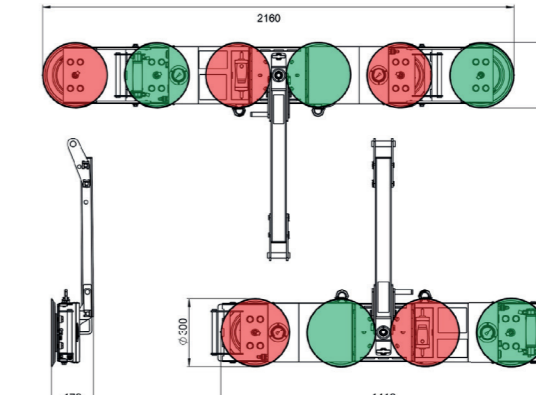
Practical radio remote control for suction and release of the vacuum optionally available.

Vacuum cup UPG450

Vacuum technology | Uplifter



Load capacity	450 kg
Suction disc quantity	6 Pieces
Suction plate Diameter	Ø 300 mm
Curved discs	<input checked="" type="checkbox"/>
Lowering cylinder	<input checked="" type="checkbox"/>
Radio remote control	<input checked="" type="checkbox"/>
Dead weight max.	57,0 kg
Length max./min.	2,16/1,42 m
Wide max./min.	0,3 m
Inclination angle	90°
Rotatability	360° in 45° grid
Operating time	approx. 8.0 hours



The lightweight, compact design ensures particularly flexible application options



Use the UPT800 to transport the elements on the construction site



With a length of 2.16 m, the UPG450 is ideal for long, slim elements

